

# CRL DELUXE PATCH LOCKS (01P38 & 01P12) INSTALLATION INSTRUCTIONS

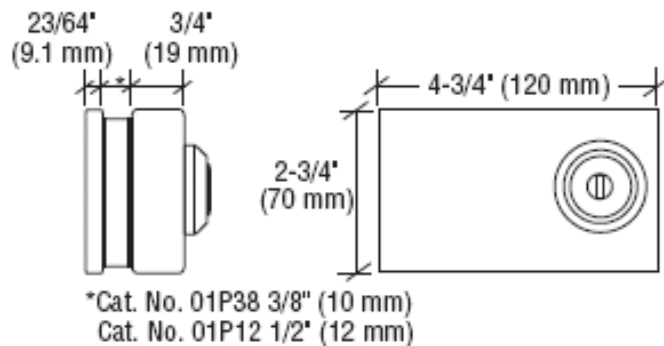
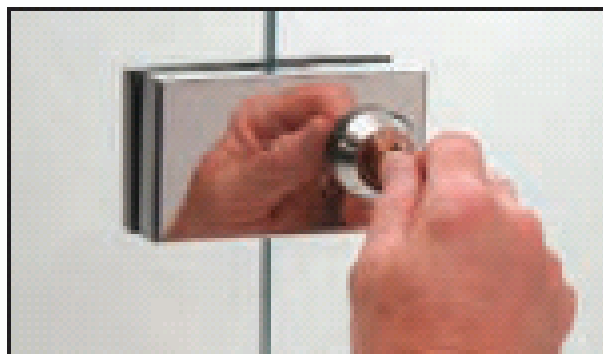
**1.** There is no need to put a hole in the glass or have any additional work done. Simply remove the cover plate and slide the double gasketed portion onto the fixed panel. The ribbed rubber lining creates suction, holding the lock firmly to the glass.



**2.** Close the second leaf or panel of the door. Put the second piece of the lock on. Make the bolt slide by using the key so that the lock fits perfectly and closes tightly.



**3.** With the CRL Deluxe Patch Lock you will have absolute safety when locking up. It is extremely easy to install anywhere along the door, even if it's a two or three leaf glass door.



## **SPECIFICATIONS:**

**For Use With:** 3/8" (10 mm) or 1/2" (12 mm) Glass Doors  
**No Glass Fabrication Required**  
Recommended Gap Between Panels: 3/16" (5 mm)